

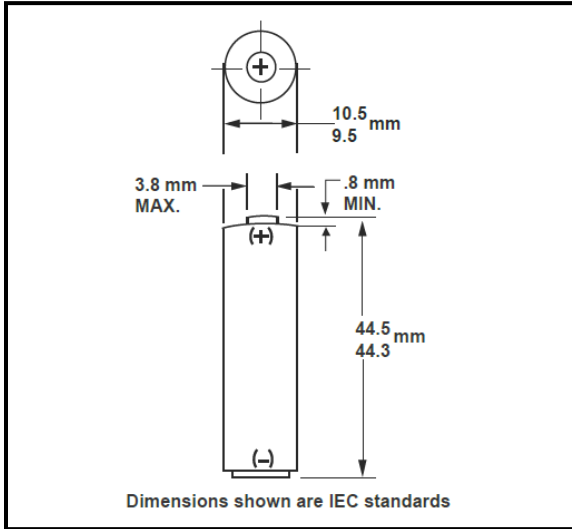
DURACELL®



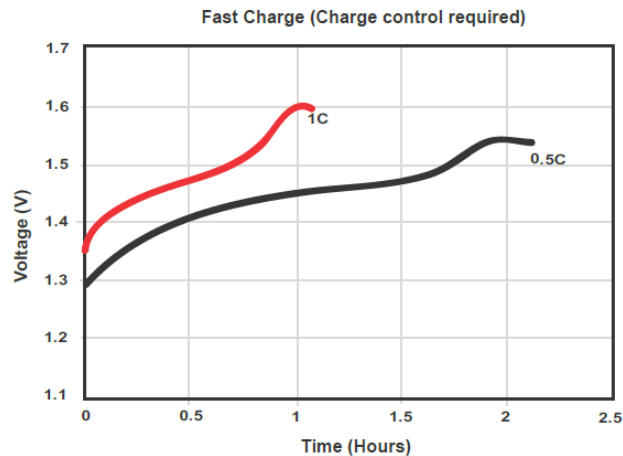
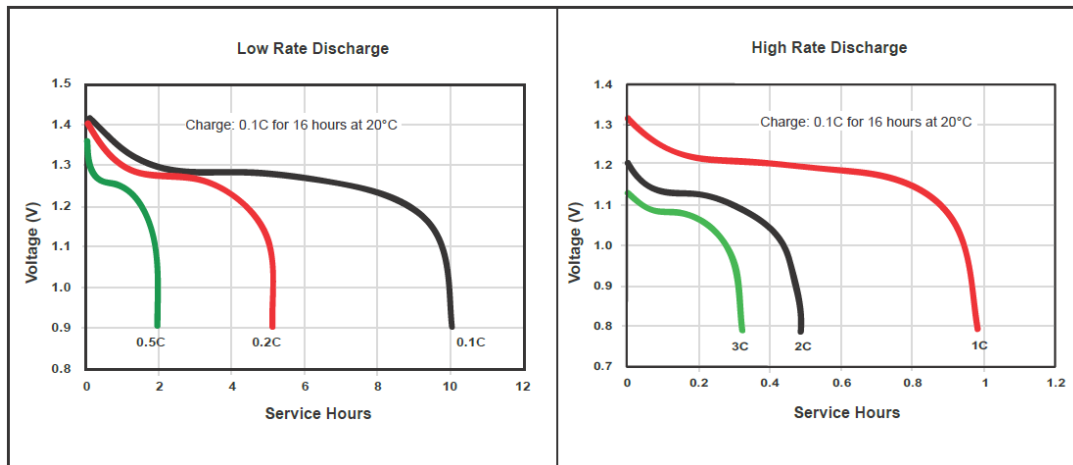
DX2400H2

900mAh AAA

Duracell Rechargeable



Specifications	
Classification:	Cylindrical Rechargeable
Chemical System:	Nickel Metal Hydride (NiMH)
Designation:	ANSI - 1.2H1, IEC – HR3
Nominal Voltage:	1.2V
Operating Voltage:	1.0V – 1.35V
Operating Temperature:	-10°C to 50°C (14°F to 122°F)
Storage Temperature:	5°C to 30°C
Typical Weight:	12.4g
Typical Volume:	3.5 cm ³ (0.214 in ³)
Typical Impedance:	30 mΩ @ 1kHz
Rated Capacity:	900mAh
Safety Features:	Pressure release resettable vent



Information and contents in this data sheet are for reference purposes only. They do not constitute any warranty and representation is subject to change without notice. For most current information and further details, please contact Duracell.